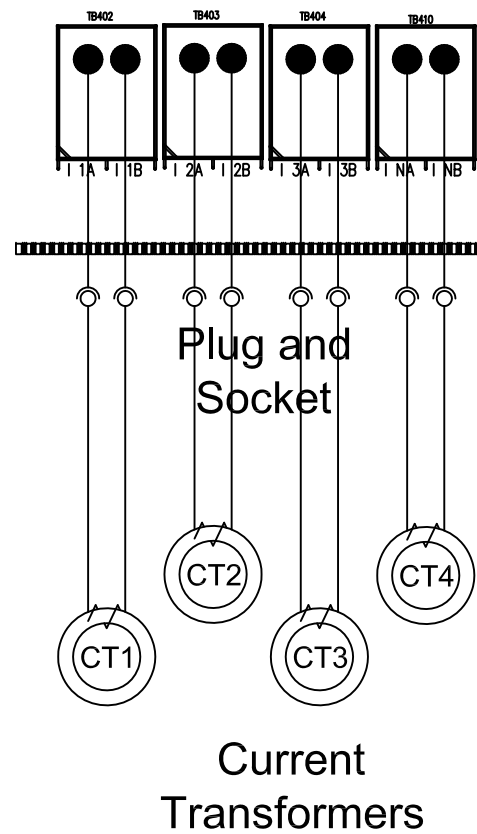


# Utilivista C2i EnCompass Node Schematic

RevNo	Revision note	Date	Signature	Checked
-------	---------------	------	-----------	---------

Plugs and sockets must be provided for the current transformer inputs, to ensure safe connection and disconnection. Please see alternative plug and socket assembly on the website. [www.c2iwireless.com](http://www.c2iwireless.com)

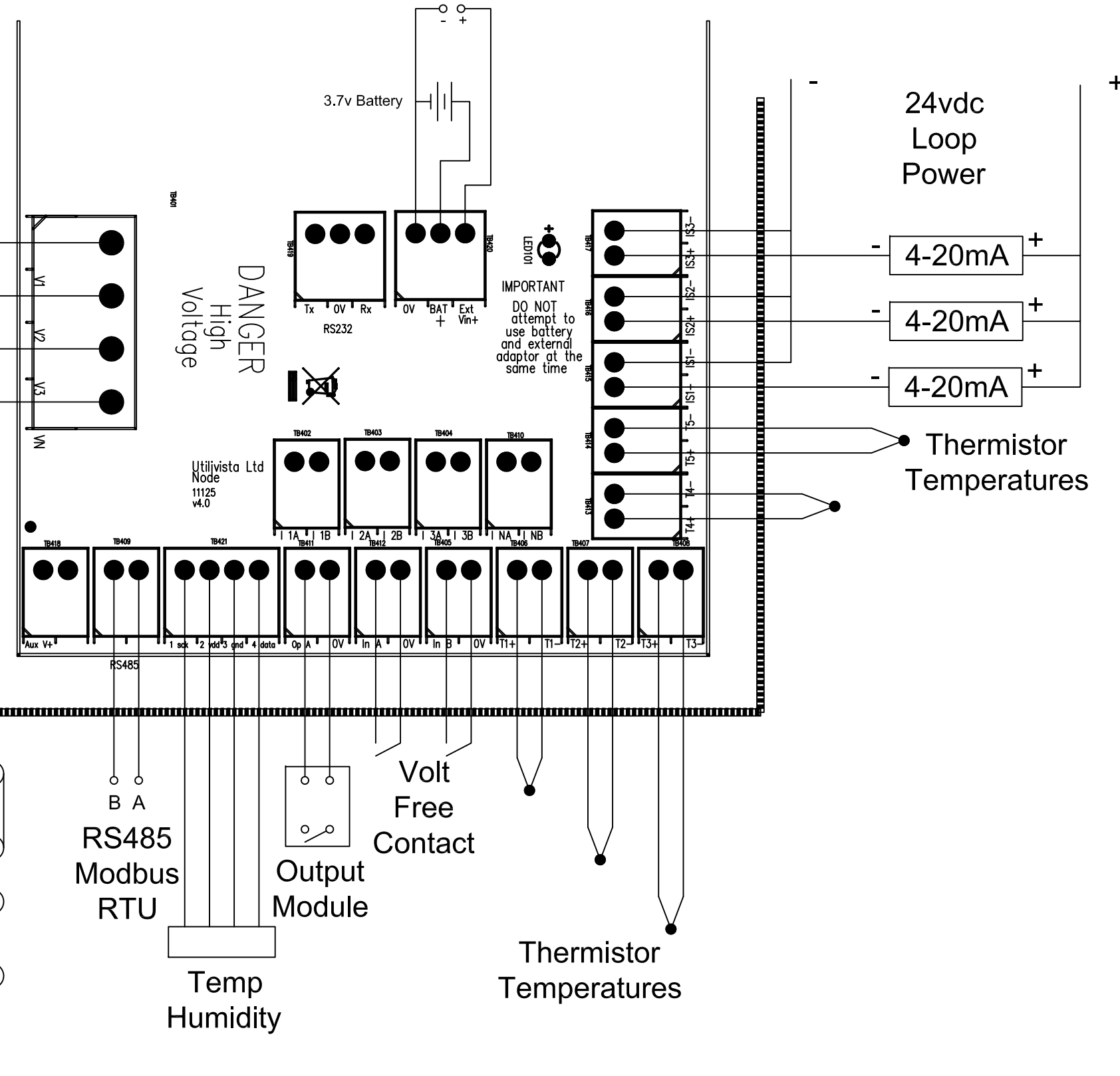


Device Wiring  
Field Wiring

200mA Fuses

Local Isolator

240/415vac Mains



Approved

<b>Utilivista</b> Telephone: +44 (0)845 4507889 Web: <a href="http://www.utilivista.com">www.utilivista.com</a> Email: <a href="mailto:enquiries@utilivista.com">enquiries@utilivista.com</a>		Designed by	Checked by	Approved by - date	Filename	Date	Scale
		SD		XXX - 00/00/00	PDS11125 v4-0	24/04/2014	NTS
Client			Drawing Title		Edition		
C2i EnCompass V4.0			C2i EnCompass Schematic		Rev B		
Drawing Number					Sheet		
PDS11125 v4.0					1/1		

© Utilivista Ltd. All rights are reserved. Reproduction in whole or in part is prohibited without the written consent of the copyright owner.